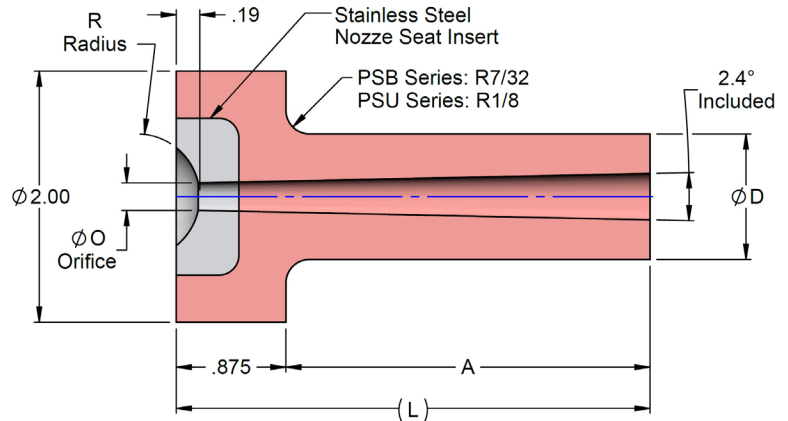


Performance Sprue Bushings®



The Performance Sprue Bushings® is a beryllium free alternative to steel bushings. The performance sprue bushings have a hardened 420 stainless steel nozzle seat to protect the copper alloy from damage by the injection press nozzle tip. Choose from 46 standard sizes which are directly interchangeable with 1 inch "B" and ¾ inch "U" diameter stems.

The injection mold cycle is often limited or controlled by the length of time needed for the solidification of the plastic sprue to prevent sticking, breaking or tearing as the mold is opened. These cycle limiting conditions can be changed by using the Performance Sprue Bushing®, without any other changes to the mold. Many plastic resins, additives and colorants lead to corrosion that leads to sticking problems with conventional steel sprue bushings.

The inherent corrosion resistance and release properties of the copper alloy used in the Performance Sprue Bushing® offers a significant increase in performance and product life compared to conventional steel sprue bushings. The sprue is often used as the grab point in robotic removal of parts, sprues and runners. This requires that the sprue be rigid enough to resist the pressure of the robot grippers as well as the removal forces. With conventional steel

sprues this measure is most often met by added cooling time to the molding cycle. The Performance Sprue Bushing® will again reduce the sprue cooling time, without any other changes to the mold resulting in overall reduced cycle times, rejects and downtime.

For custom Performance Sprue Bushings®, contact PCS Company at customcomponents@pcs-company.com.

Features:

- Unit of measure: Inch
- Beryllium Free Copper Alloy
- Material: MoldStar® 150
- Hardness 90-98 Rockwell "B" (11-21 Rockwell "C")
- Stainless Steel Nozzle Seat for wear resistance and to insulate nozzle heat
- Highly corrosion resistant to resins such as PVC & others
- Reduced cycle time due to faster sprue cooling rates
- Eliminate "sticking sprues" due to inherent release properties of copper alloys



Performance Sprue Bushings®

Item Number	Series	D Body Diameter	A Body Length	L Overall Length	Orifice	Radius
PSB0251	B	1.000"	1 29/32"	2 25/32"	5/32"	1/2"
PSB0253	B	1.000"	1 29/32"	2 25/32"	5/32"	3/4"
PSB0271	B	1.000"	1 29/32"	2 25/32"	7/32"	1/2"
PSB0273	B	1.000"	1 29/32"	2 25/32"	7/32"	3/4"
PSB0291	B	1.000"	1 29/32"	2 25/32"	9/32"	1/2"
PSB0293	B	1.000"	1 29/32"	2 25/32"	9/32"	3/4"
PSB0451	B	1.000"	2 29/32"	3 25/32"	5/32"	1/2"
PSB0453	B	1.000"	2 29/32"	3 25/32"	5/32"	3/4"
PSB0471	B	1.000"	2 29/32"	3 25/32"	7/32"	1/2"
PSB0473	B	1.000"	2 29/32"	3 25/32"	7/32"	3/4"
PSB0491	B	1.000"	2 29/32"	3 25/32"	9/32"	1/2"
PSB0493	B	1.000"	2 29/32"	3 25/32"	9/32"	3/4"
PSB0651	B	1.000"	3 29/32"	4 25/32"	5/32"	1/2"
PSB0653	B	1.000"	3 29/32"	4 25/32"	5/32"	3/4"
PSB0671	B	1.000"	3 29/32"	4 25/32"	7/32"	1/2"
PSB0673	B	1.000"	3 29/32"	4 25/32"	7/32"	3/4"
PSB0691	B	1.000"	3 29/32"	4 25/32"	9/32"	1/2"
PSB0693	B	1.000"	3 29/32"	4 25/32"	9/32"	3/4"
PSB0851	B	1.000"	4 29/32"	5 25/32"	5/32"	1/2"
PSB0853	B	1.000"	4 29/32"	5 25/32"	5/32"	3/4"
PSB0871	B	1.000"	4 29/32"	5 25/32"	7/32"	1/2"
PSB0873	B	1.000"	4 29/32"	5 25/32"	7/32"	3/4"
PSB0891	B	1.000"	4 29/32"	5 25/32"	9/32"	1/2"
PSB0893	B	1.000"	4 29/32"	5 25/32"	9/32"	3/4"
PSU0251	U	1.000"	1 29/32"	2 25/32"	5/32"	1/2"
PSU0253	U	1.000"	1 29/32"	2 25/32"	5/32"	3/4"
PSU0271	U	1.000"	1 29/32"	2 25/32"	7/32"	1/2"
PSU0273	U	1.000"	1 29/32"	2 25/32"	7/32"	3/4"
PSU0291	U	1.000"	1 29/32"	2 25/32"	9/32"	1/2"
PSU0293	U	1.000"	1 29/32"	2 25/32"	9/32"	3/4"
PSU0451	U	0.750"	2 29/32"	3 25/32"	5/32"	1/2"
PSU0453	U	0.750"	2 29/32"	3 25/32"	5/32"	3/4"
PSU0471	U	0.750"	2 29/32"	3 25/32"	7/32"	1/2"
PSU0473	U	0.750"	2 29/32"	3 25/32"	7/32"	3/4"
PSU0491	U	0.750"	2 29/32"	3 25/32"	9/32"	1/2"
PSU0493	U	0.750"	2 29/32"	3 25/32"	9/32"	3/4"
PSU0651	U	0.750"	3 29/32"	4 25/32"	5/32"	1/2"
PSU0653	U	0.750"	3 29/32"	4 25/32"	5/32"	3/4"
PSU0671	U	0.750"	3 29/32"	4 25/32"	7/32"	1/2"
PSU0673	U	0.750"	3 29/32"	4 25/32"	7/32"	3/4"
PSU0691	U	0.750"	3 29/32"	4 25/32"	9/32"	1/2"
PSU0693	U	0.750"	3 29/32"	4 25/32"	9/32"	3/4"
PSU0851	U	0.750"	4 29/32"	5 25/32"	5/32"	1/2"
PSU0853	U	0.750"	4 29/32"	5 25/32"	5/32"	3/4"
PSU0871	U	0.750"	4 29/32"	5 25/32"	7/32"	1/2"
PSU0873	U	0.750"	4 29/32"	5 25/32"	7/32"	3/4"
PSU0891	U	0.750"	4 29/32"	5 25/32"	9/32"	1/2"
PSU0893	U	0.750"	4 29/32"	5 25/32"	9/32"	3/4"